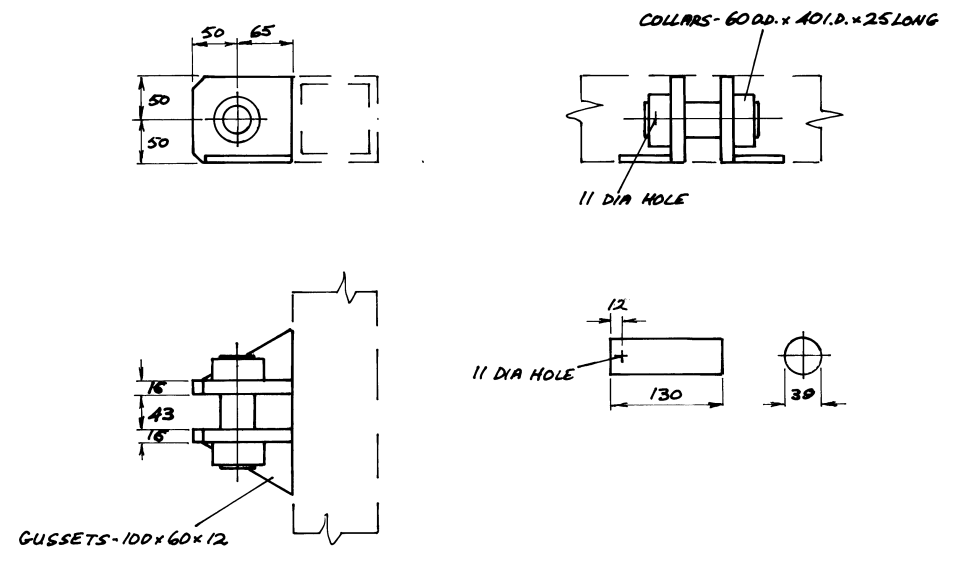
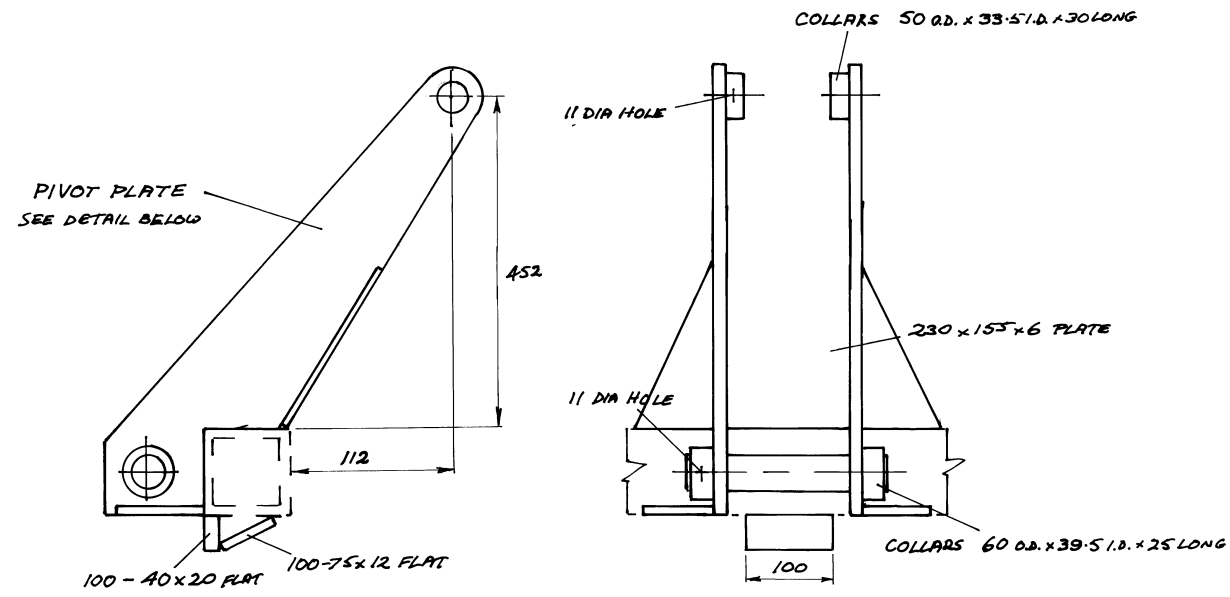
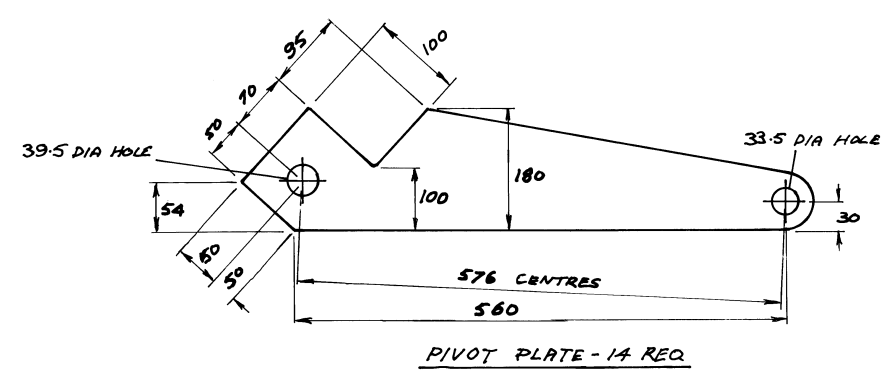
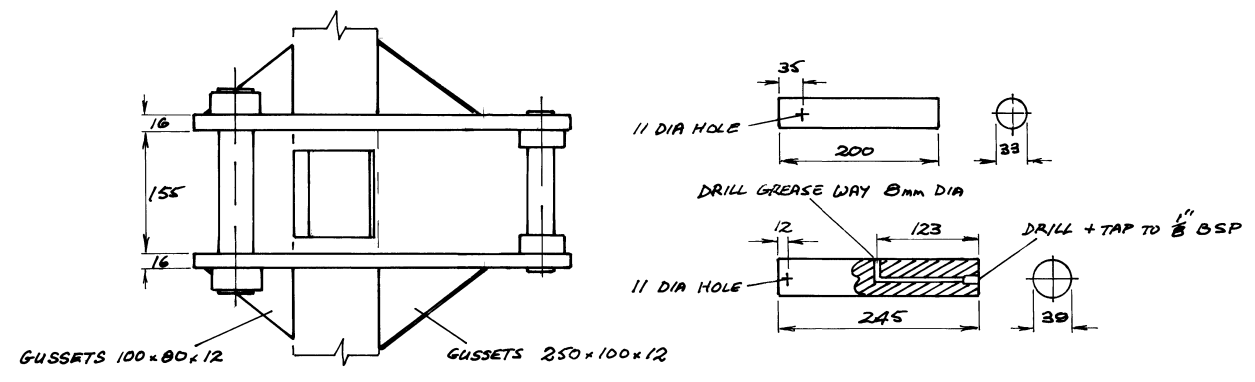


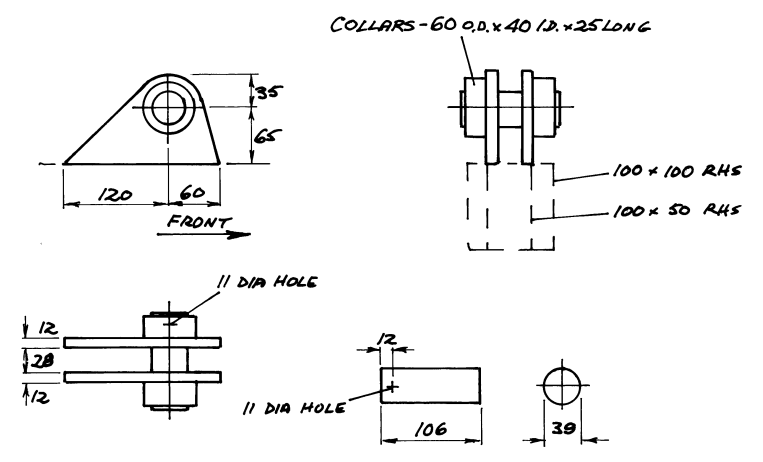
DUMBLEYUNG ENGINEERING	SCALE	1:10
	DATE	7-2-03
C.A.L.M. 7 TYNE RIPPER MAIN FRAME		CA001



DRAWBAR PIVOT - 3 REQ

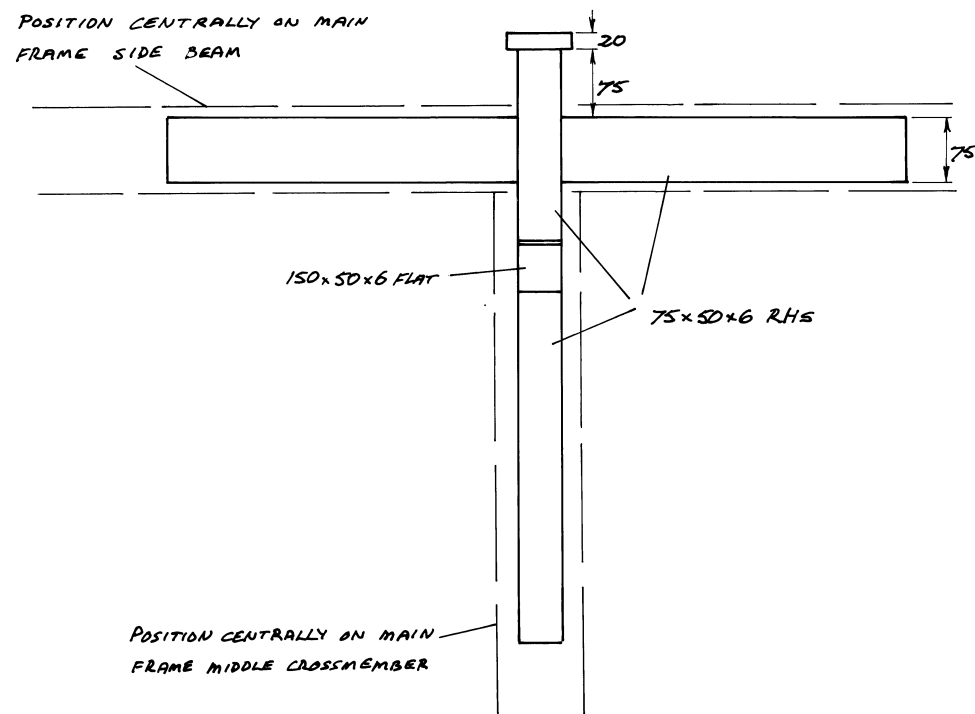
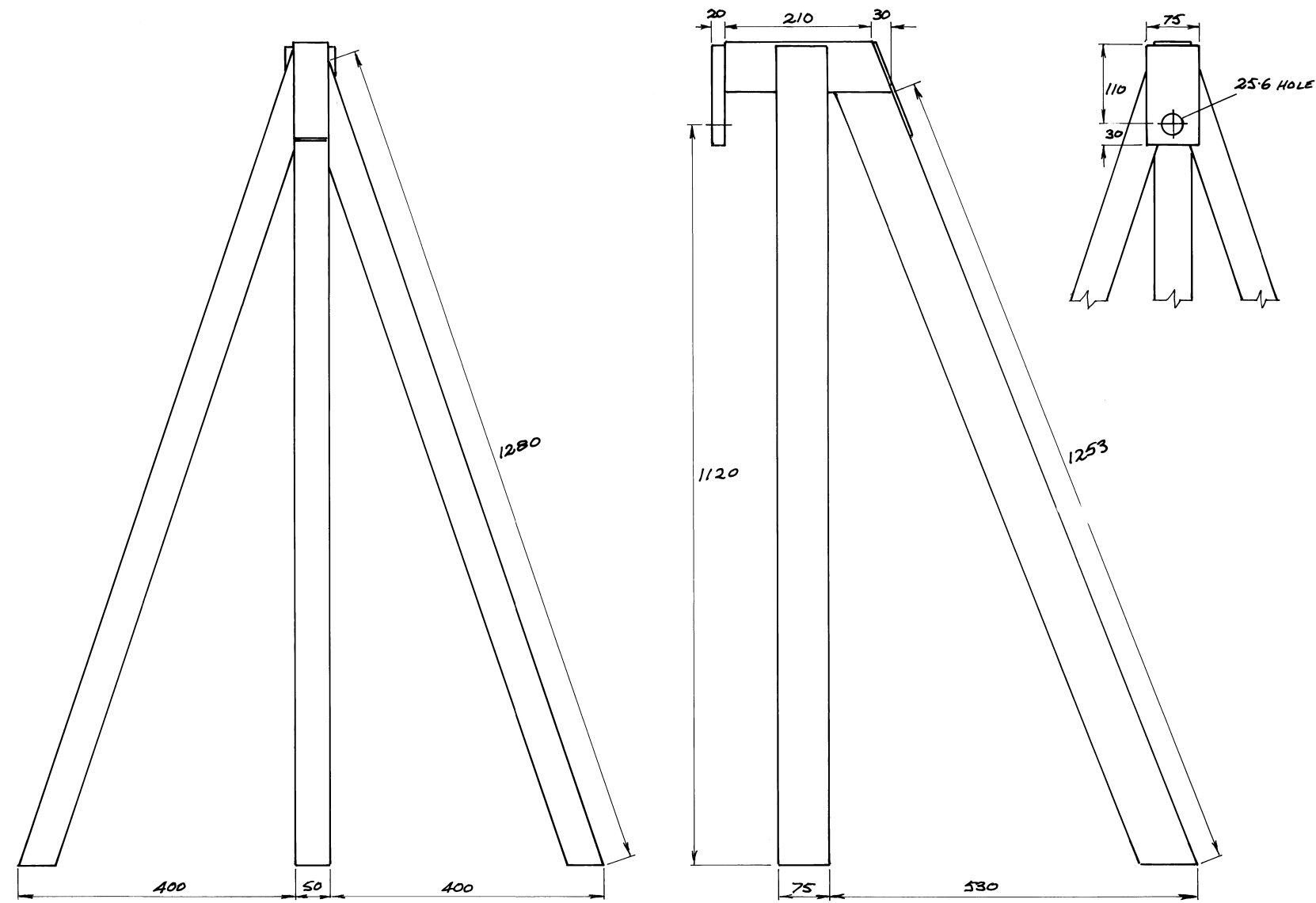


RIPPER ARM PIVOT - 7 REQ



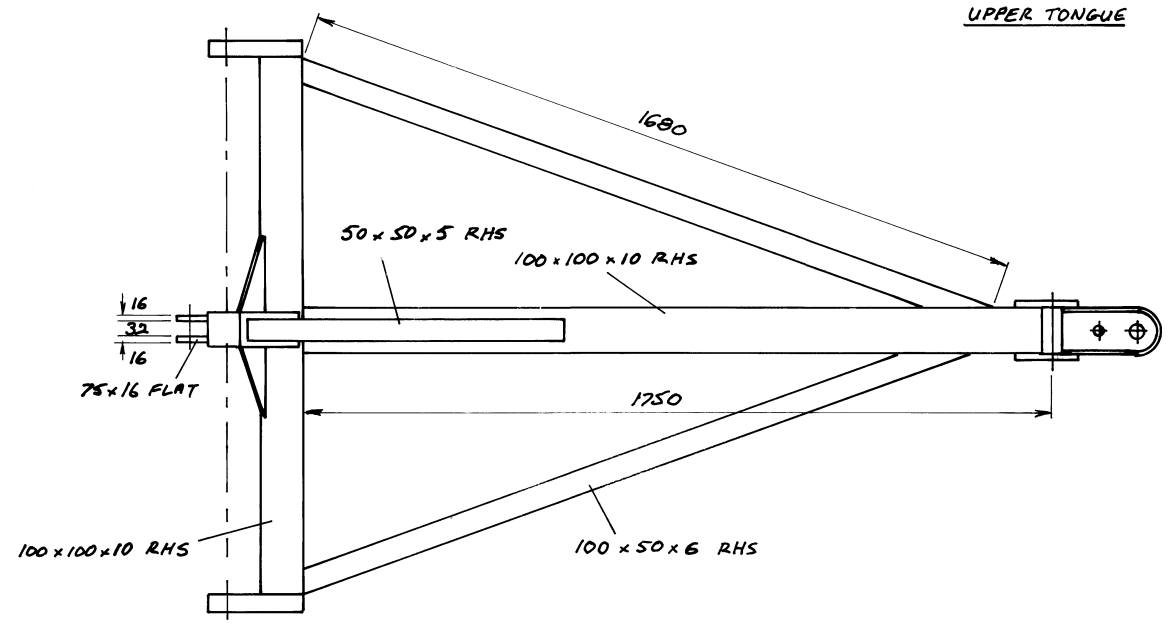
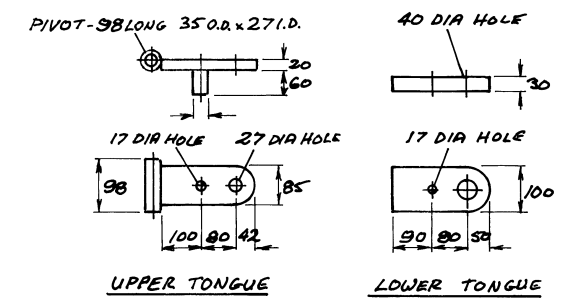
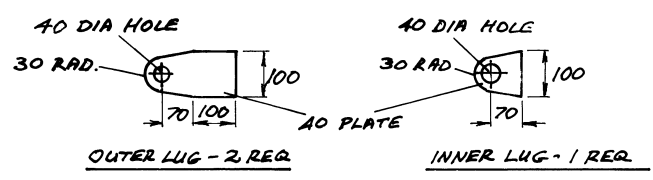
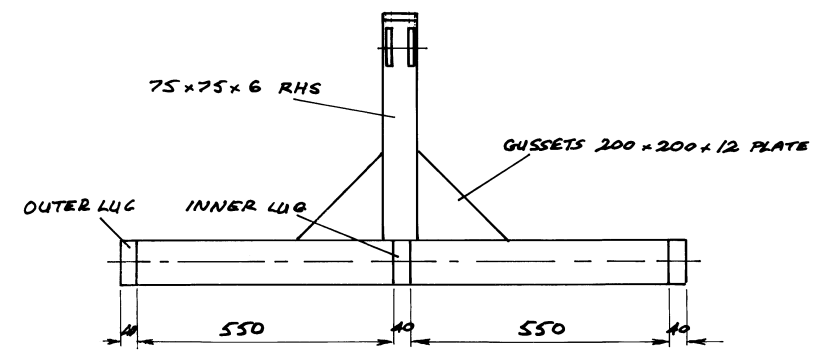
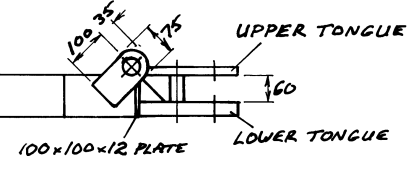
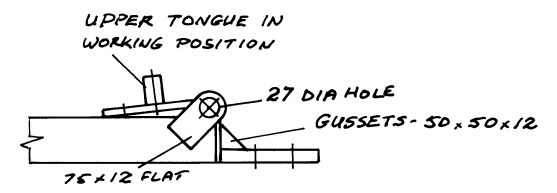
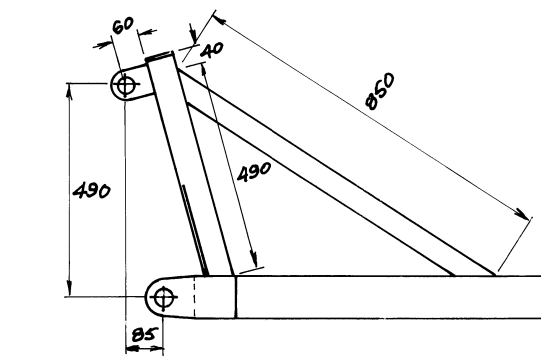
AXLE PIVOT - 4 REQ

DUMBLEYUNG ENGINEERING	SCALE	1:5
	DATE	2-2-03
C.A.L.M. 7 TYNE RIPPER FRAME DETAIL		CA 002

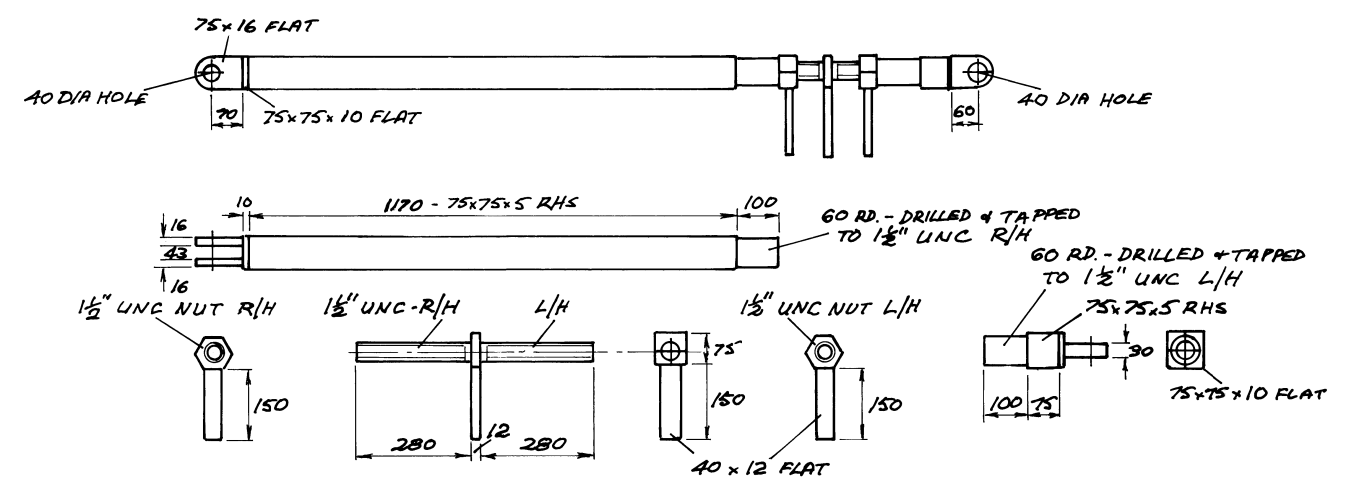


2 SUPPORT ASSYS REQ.

DUMBLEYUNG ENGINEERING	SCALE	1:5
	DATE	2-2-03
C.A.L.M. 7 TYNE RIPPER LIFT RAM SUPPORTS		CA003

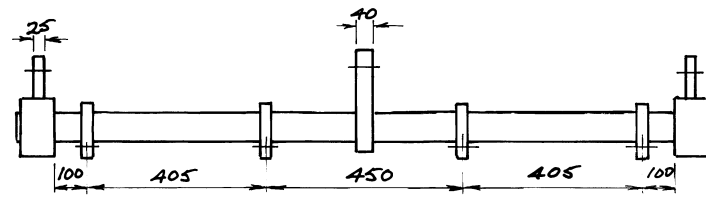
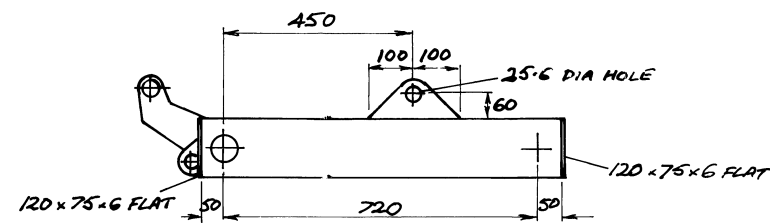


DRAWBAR 1 REQ

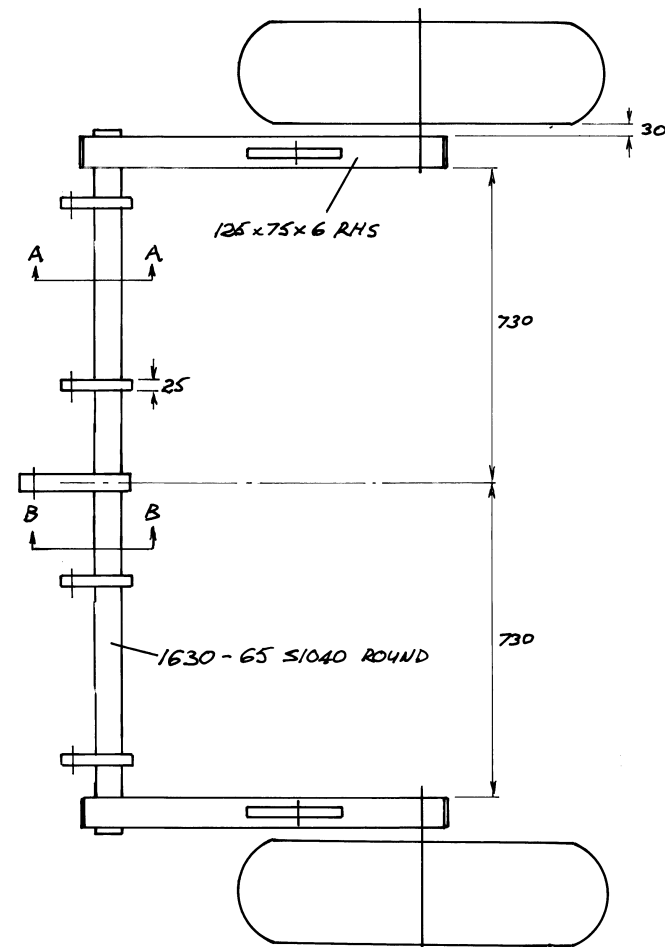


LEVEL LIFT LINK 1 REQ

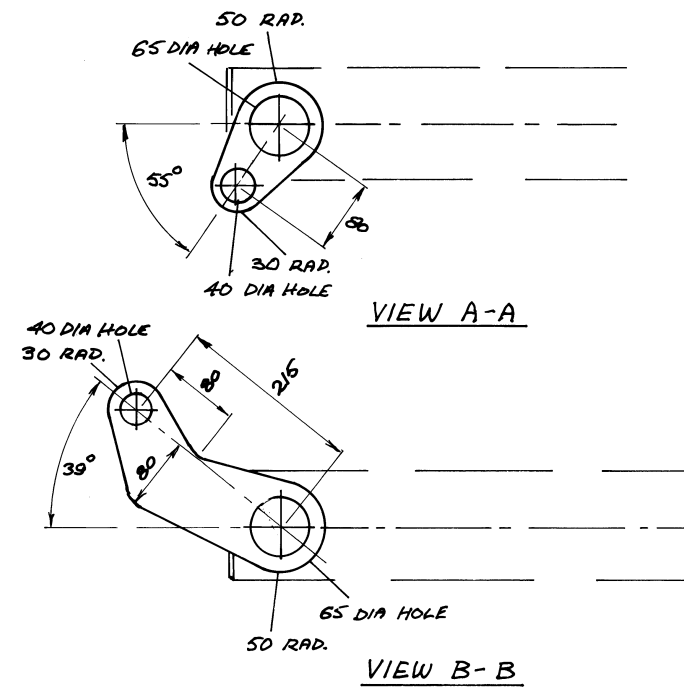
DUMBLEYUNG ENGINEERING C.A.L.M. 7 TYNE RIPPER DRAWBAR	SCALE	1:10
	DATE	1-2-03
CA004		



WHEELS - 8.00x16. P/N K16N006 [EX ANDILINE]
 TYRES - 8.25x16. 12 PLY. DANLDP HI MILER



HUB + STUB ASSYS.
 P/N R6060B5 [EX ANDILINE]

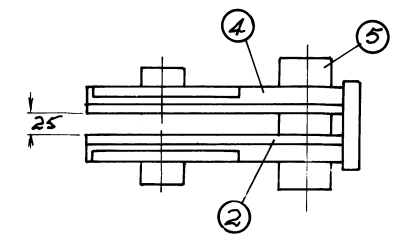
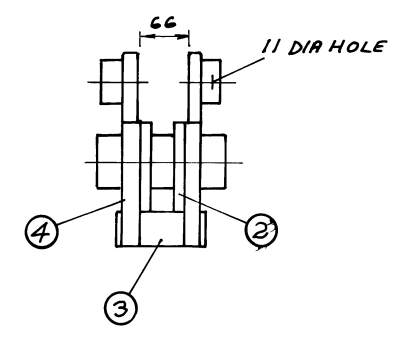
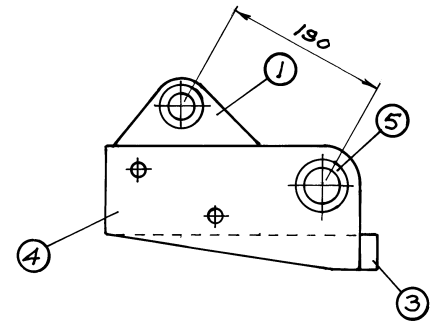
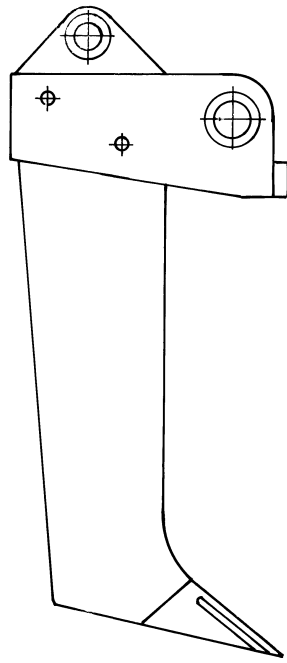


DUMBLEYUNG ENGINEERING

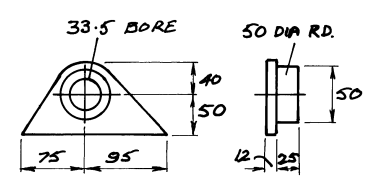
SCALE
 DATE 1-2-03

C.A.L.M. 7 TYNE RIPPER
 AXLE ASSY.

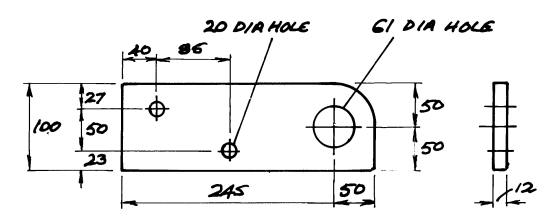
CA005



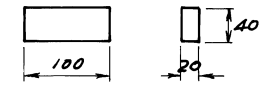
JUMP BRACKET - 7 REQ.



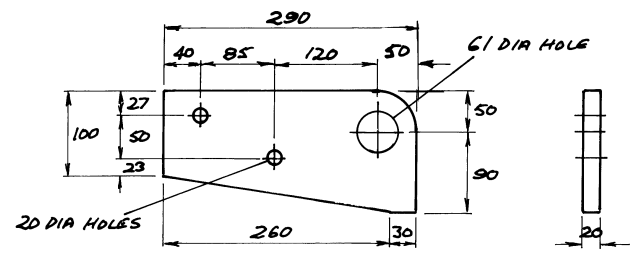
① 7 L/H & 7 R/H REQ.



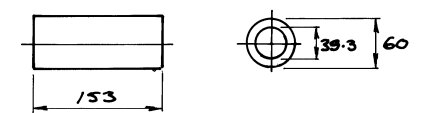
② 100x12 FLAT - 14 REQ.



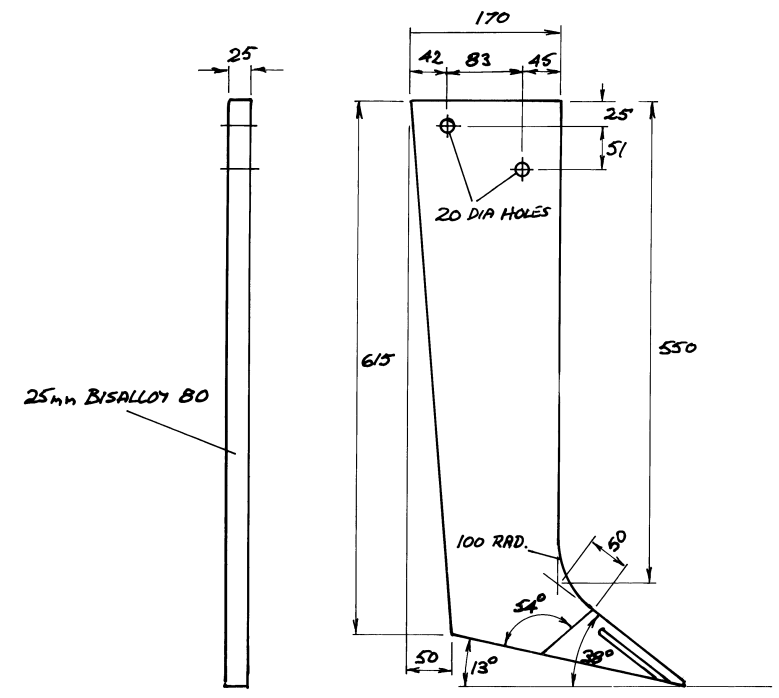
③ 40x20 FLAT - 7 REQ.



④ 20 PLATE - 14 REQ.



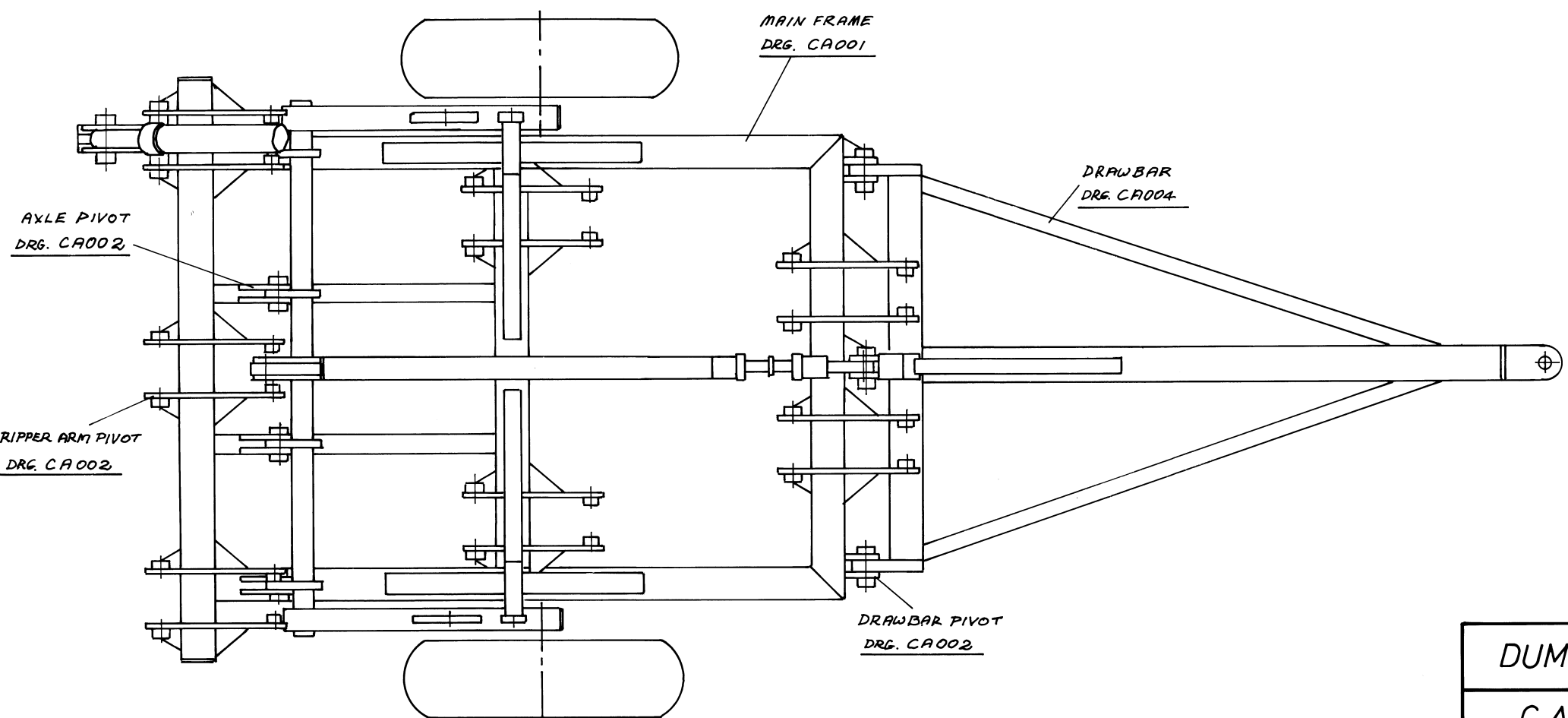
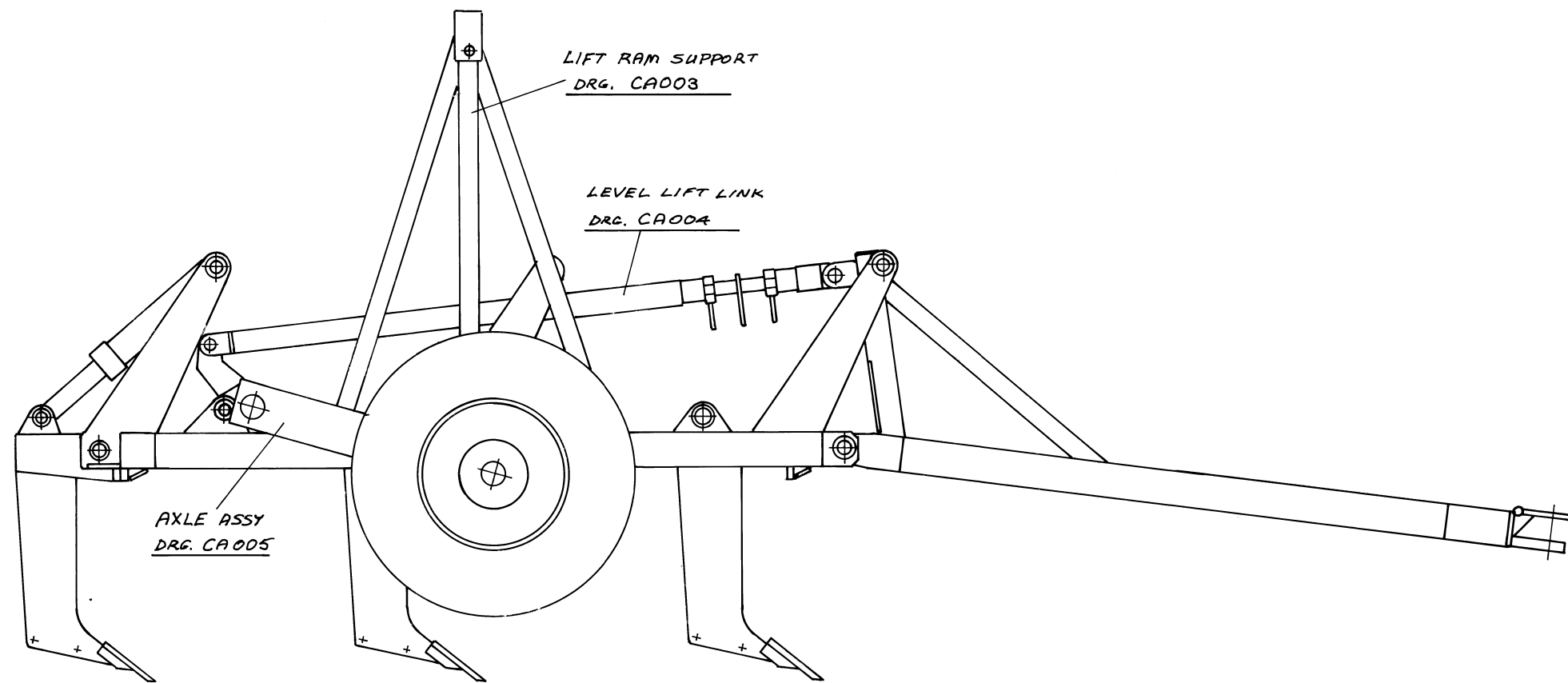
⑤ 60 DIA RD. - 7 REQ.



25mm BISALLOY B0

TYNE - 7 REQ.

DUMBLEYUNG ENGINEERING	SCALE	1:5
	DATE	5-2-03
C.A.L.M. 7 TYNE RIPPER TYNE ASSY.		CA006

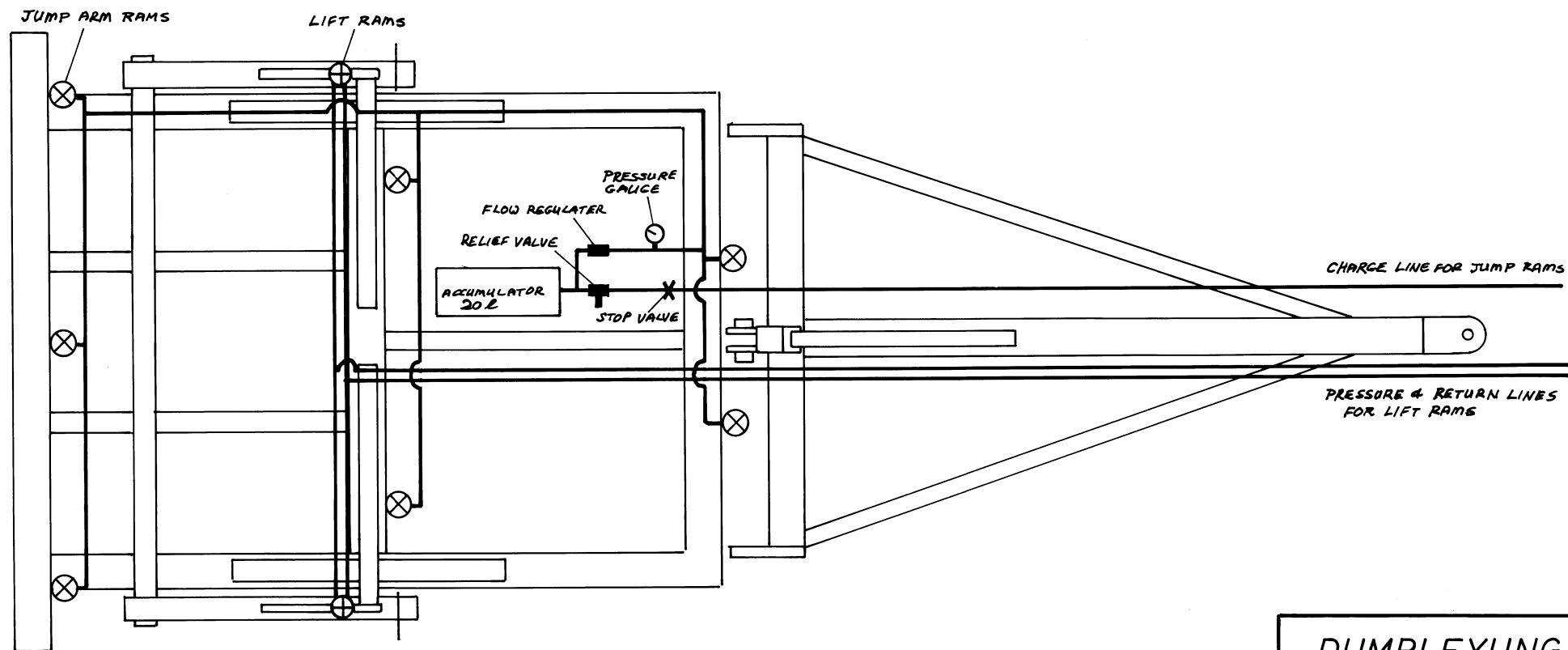
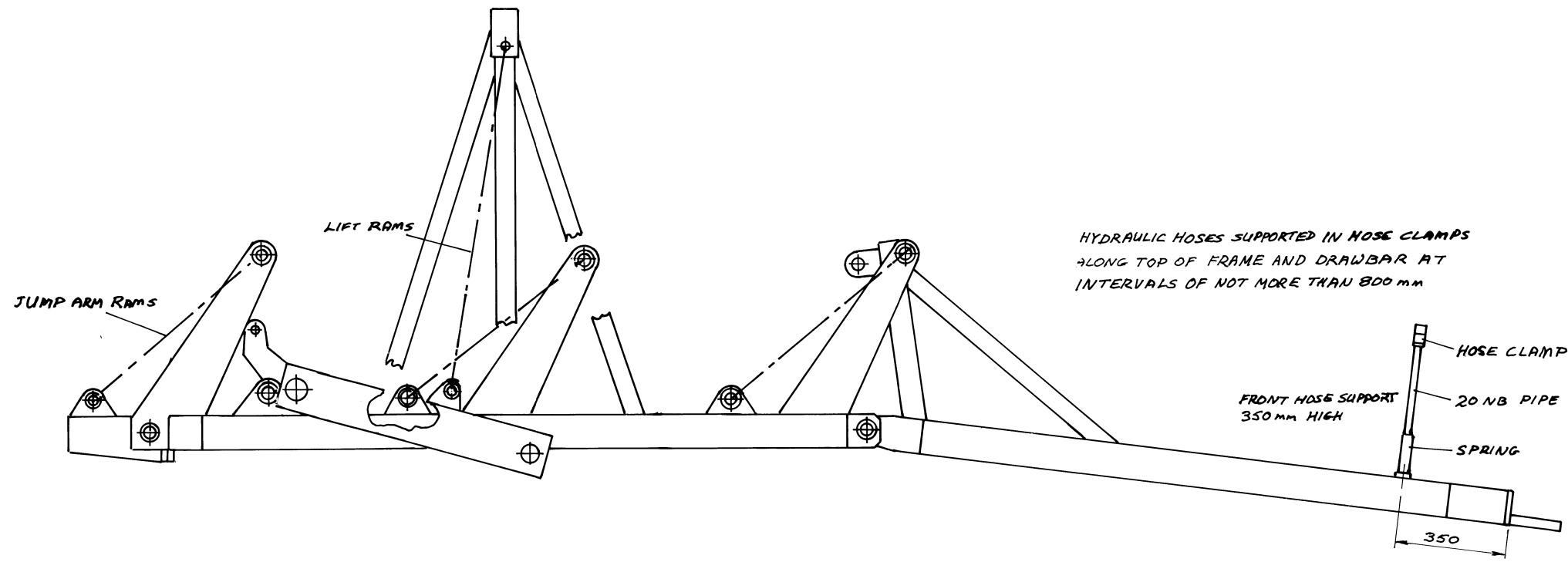


DUMBLEYUNG ENGINEERING	SCALE	1:10
	DATE	10-2-03
C.A.L.M. 7 TYNE RIPPER GENERAL ASSY.		CA007

LIFT RAMS - 2 REQ. DOUBLE ACTING
 20" STROKE - 3" BORE - 1 3/4" SHAFT. 32.25" CENTRES CLOSED

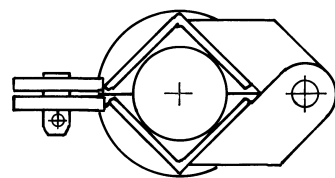
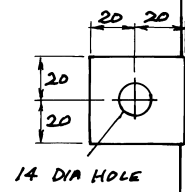
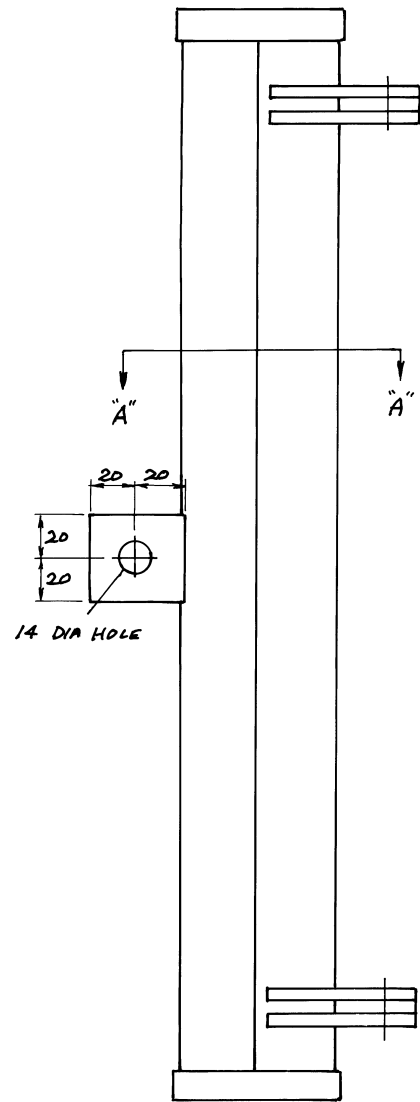
JUMP ARM RAMS - 7 REQ. SINGLE ACTING
 200mm STROKE - 2 1/2" SHAFT. 400mm CENTRES CLOSED

HOSES - 1/2" 100 R2

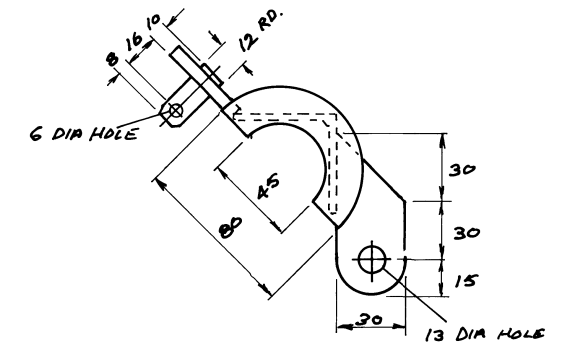
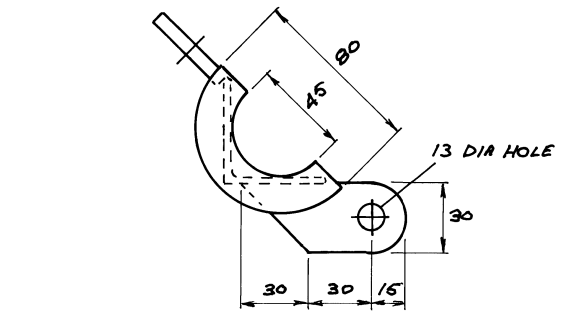
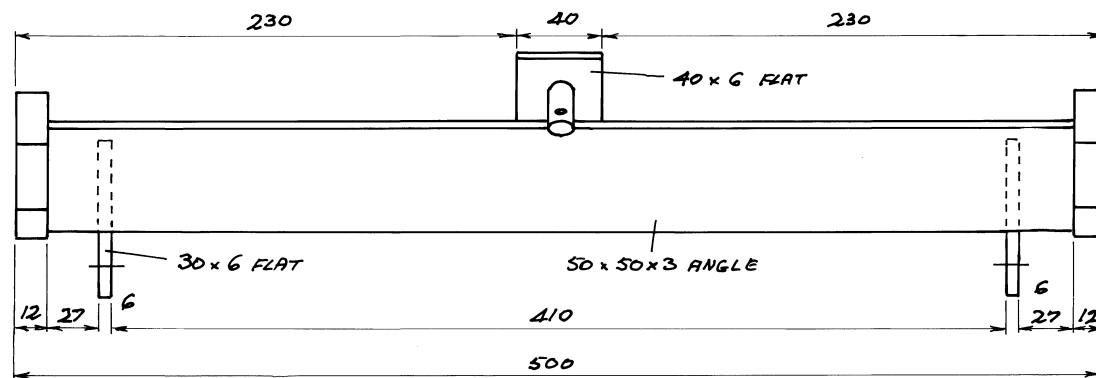
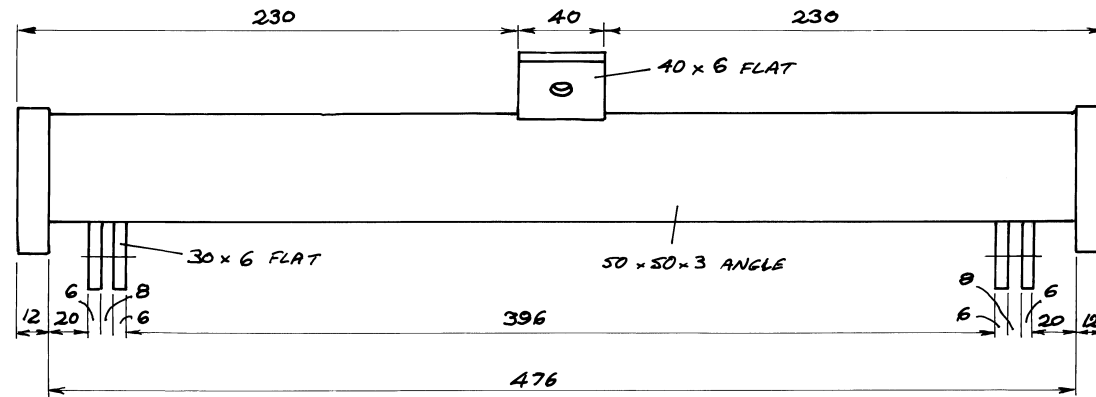


3 HOSES TO EXTEND 2m FORWARD OF DRAWBAR PIN AND BE FITTED WITH 1/2" BSP MALE HOSE ENDS

DUMBLEYUNG ENGINEERING C.A.L.M. 7 TYNE RIPPER HYDRAULICS	SCALE	N.T.S.
	DATE	9-2-03
CA008		

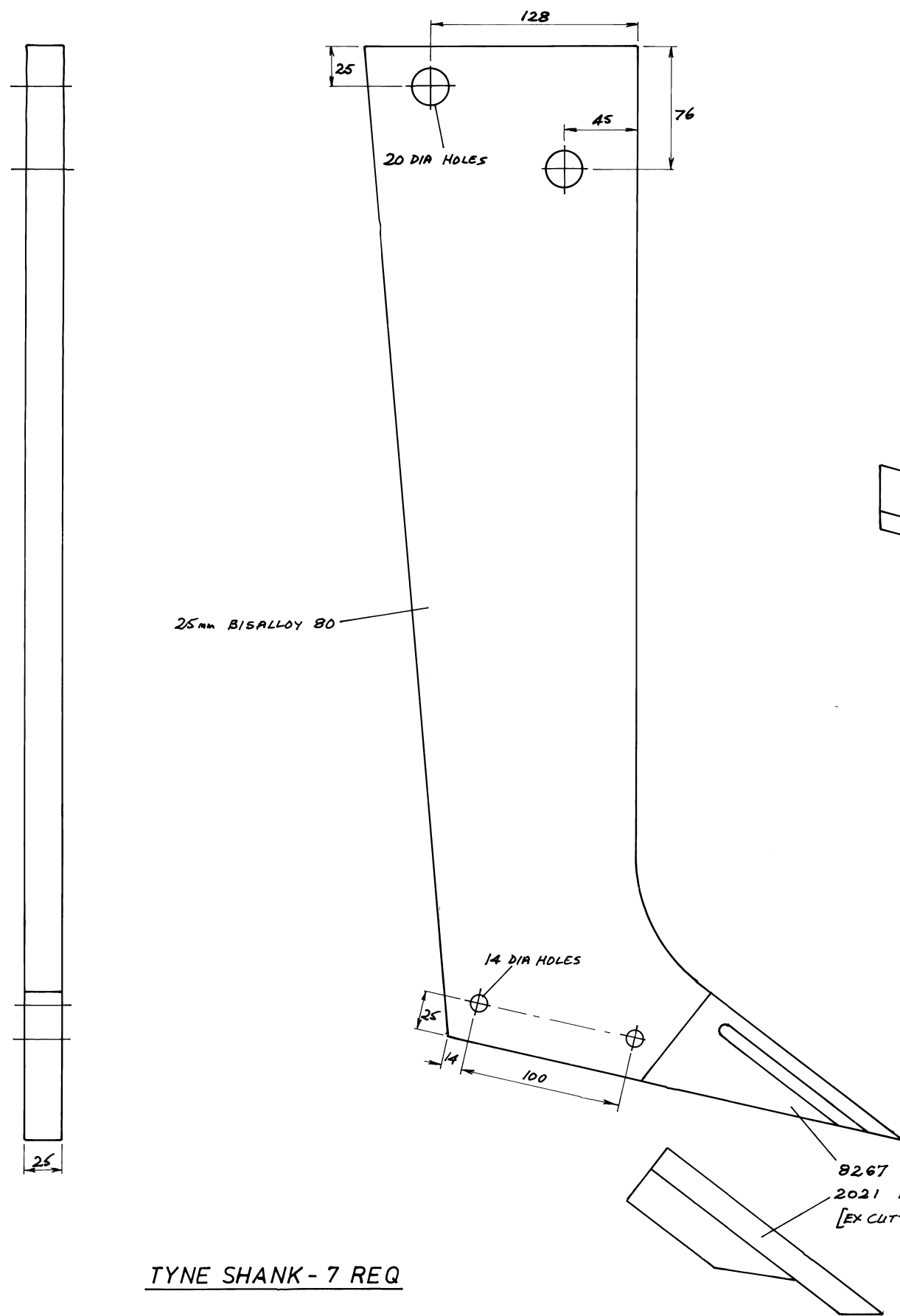


VIEW AT A-A

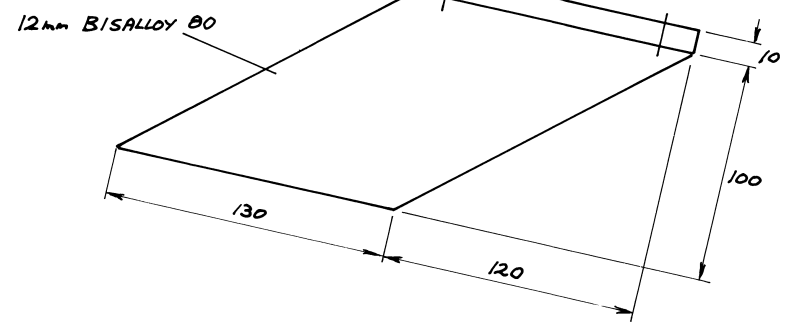
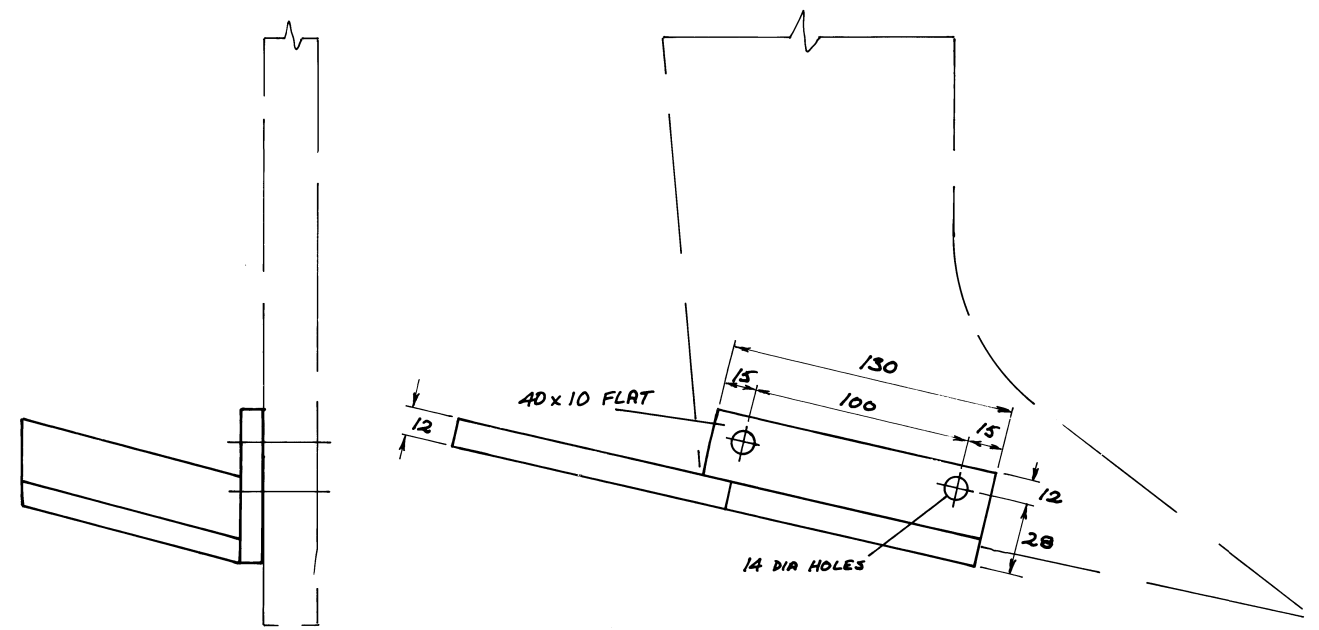


TRANSPORT SAFETY STRUT - CLAMP AROUND LIFT RAM SHAFTS WHEN TRANSPORTING TO PROTECT AGAINST HYDRAULIC FAILURE AND PREVENT STONE PITTING OF RAM SHAFT

DUMBLEYUNG ENGINEERING	SCALE	1:2
	DATE	11-2-03
CALM 7 TYNE RIPPER TRANSPORT STRUT		CA009

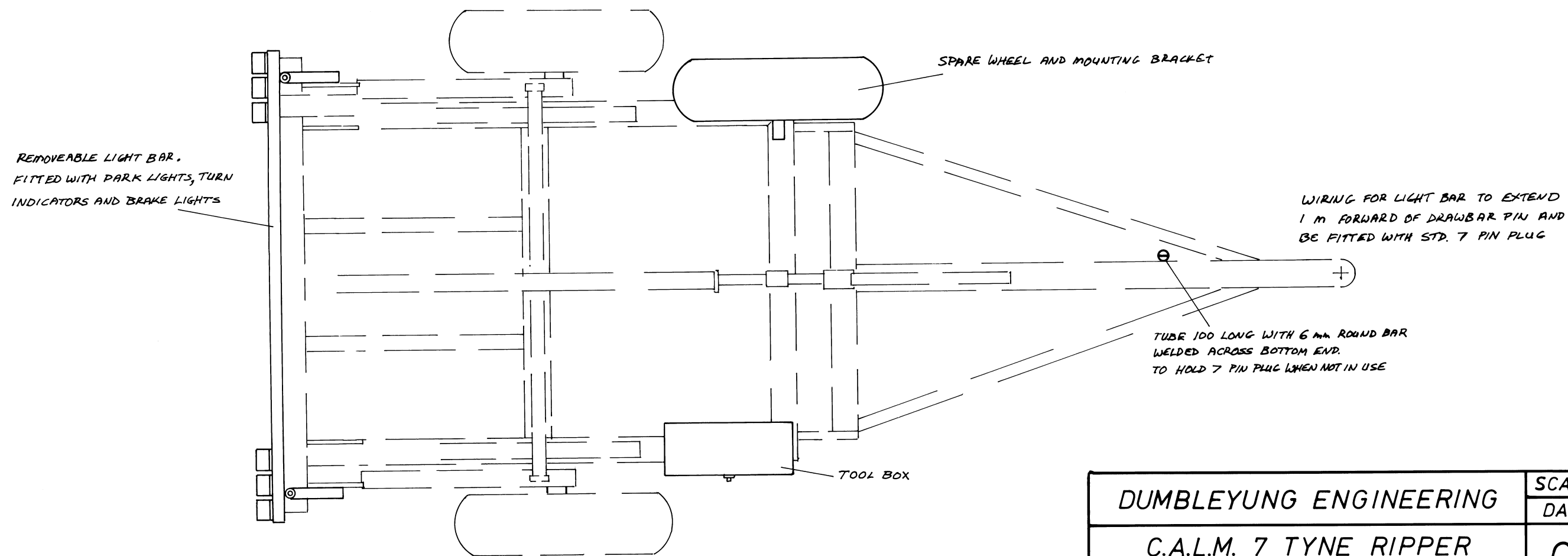
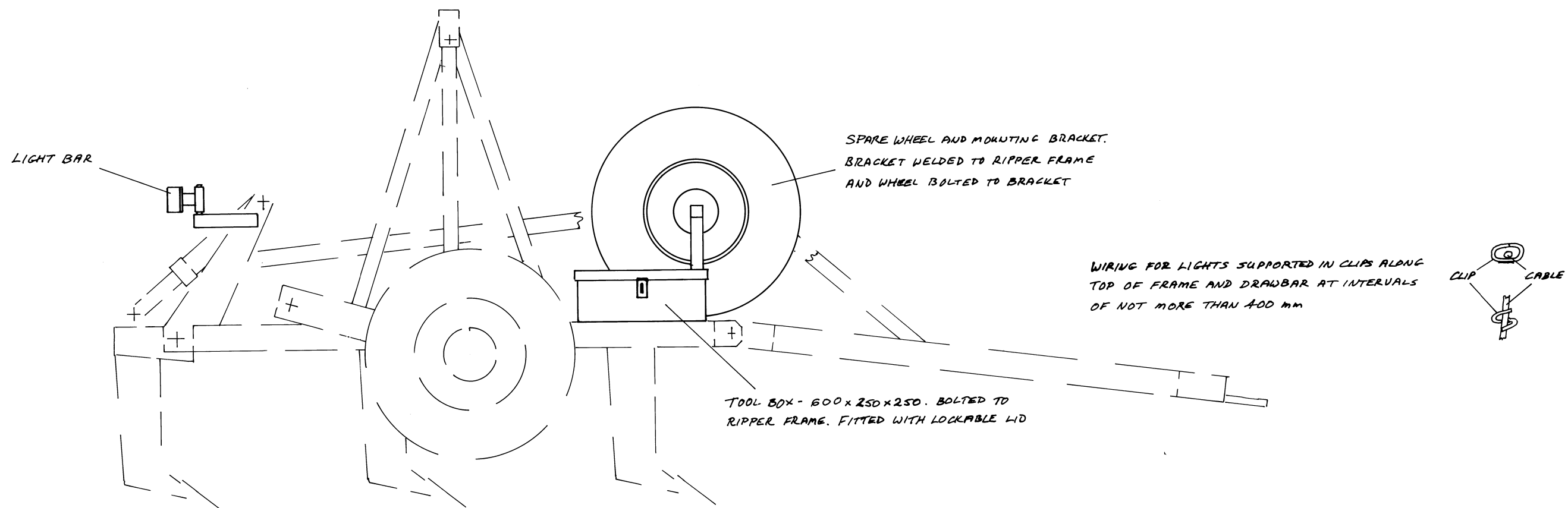


TYNE SHANK - 7 REQ



WINGS - 7 L/H & 7 R/H REQ

DUMBLEYUNG ENGINEERING	SCALE	1:2
	DATE	10-2-03
C.A.L.M. 7 TYNE RIPPER TYNE & WING DETAIL		CA010



DUMBLEYUNG ENGINEERING	SCALE	N.T.S.
	DATE	29-3-03
C.A.L.M. 7 TYNE RIPPER ACCESSORIES		CA011